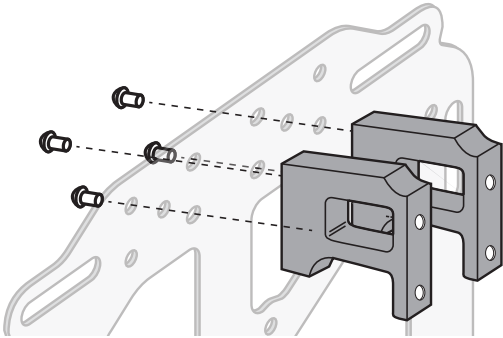




**IMPORTANT: USE BLUE MEDIUM STRENGTH THREADLOCK WHEN INSTALLING GSA ADAPTER!**

Use ORIGINAL 12mm stainless steel bolts to attach adapter to Pannier Mounts.



Use the LONGER black 15mm bolts included with your adapter to secure the locking clasp to the adapter.

