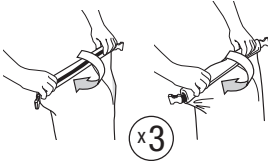


## TO ENSURE A GOOD, WATER-TIGHT ROLL ON BAG ENDS:

**STEP ONE:** Leave ample room to allow for at least three rolls to seal. Open air purge valve, squeeze out excess air and fold the seam over on itself and roll another two times for a total of three rolls.

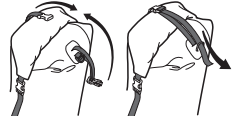


x3

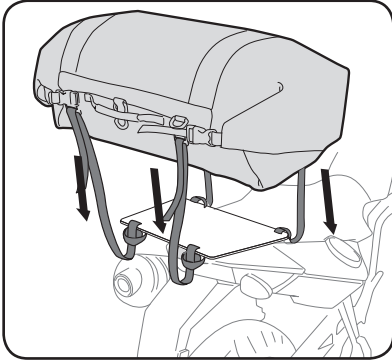
**STEP TWO:** Holding the rolls in place, connect the compression straps on both sides. Pull tight.



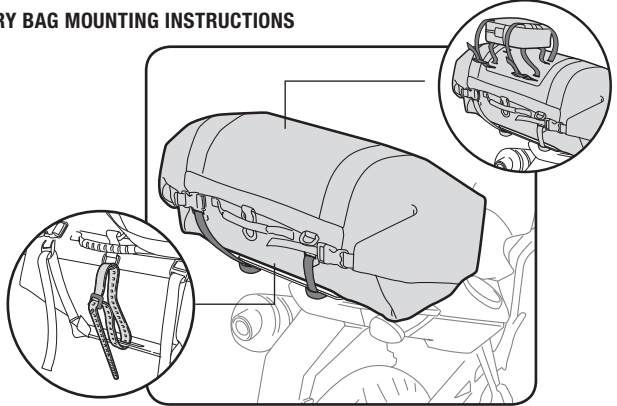
**STEP THREE:** Connect the top compression strap over the top of the folds. Pull tight. Close air purge valve.



## TILLAMOOK DRY BAG MOUNTING INSTRUCTIONS



Remove four webbing anchor straps from Dry Bag's side release buckles. Girth hitch (run webbing tail through sewn loop end) all four anchor straps to tail rack, passenger grab handles or other solid attachment points. Reconnect side release buckles and cinch tight to secure Dry Bag.



For additional off-road stability, reinforce anchor straps with Pronghorn Straps through D-rings on Dry Bag and/or add straps over top of Dry Bag. Use the Dry Bag's lash points to secure GL's Possibles Pouch or additional lightweight gear to top of Dry Bag.

## PACKING TIPS

- Thread Coyote/Great Basin Saddlebag beavertail compression straps through daisy chain and tighten.
- Fill bag, positioning items you want to keep handy near the ends
- Roll ends at least three times, keeping rolled bag flat and wrinkle free.
- Fasten side release buckles and cinch down closure straps to maintain waterproof seal.
- Roll and close one end, fill bag with lightweight bulky items, positioning gear you want to keep handy near the ends. Squeeze excess air from duffel, then roll at least twice more and secure with closure straps.
- Check and re-tighten all straps at stops, as gear can shift and compress.
- For additional off-road stability, use Giant Loop's Pronghorn Straps™.
- Do not overstuff or over pack. Leave ample room to roll top at least three times to make a waterproof seal.
- Pack hard, sharp or metallic gear in protective wrappers and/or sleeves. Also protect from contact with other solid objects that may abrade fabric such as hard metal rack surfaces.
- Avoid exposure to chemicals that may degrade fabric, such as insect repellents containing DEET.
- Hand wash with mild soap and warm water. Hang to air dry. DO NOT MACHINE WASH.
- To avoid stench, mold and mildew, do not leave wet gear in sealed bags for extended periods, and thoroughly air dry bags before storing them.

## RECOMMENDED OPTIONAL ACCESSORIES

**Pronghorn Straps**  
Heavy-duty tension straps solve a million problems.



**Possibles Pouch**  
Adds 3.5 liters of waterproof storage.



Integrates with Giant Loop's saddlebag compression straps



See [giantloopmoto.com/warranty](http://giantloopmoto.com/warranty) for complete warranty details.

0818



[www.giantloopmoto.com](http://www.giantloopmoto.com) | 888-358-8347 | Bend, Oregon USA  
**GO LIGHT. GO FAST. GO FAR.**